

Hinged & Lift Out Combination Units

Economy Odd Leg Section Guide



DURATION
WINDOWS



Contents



Parts

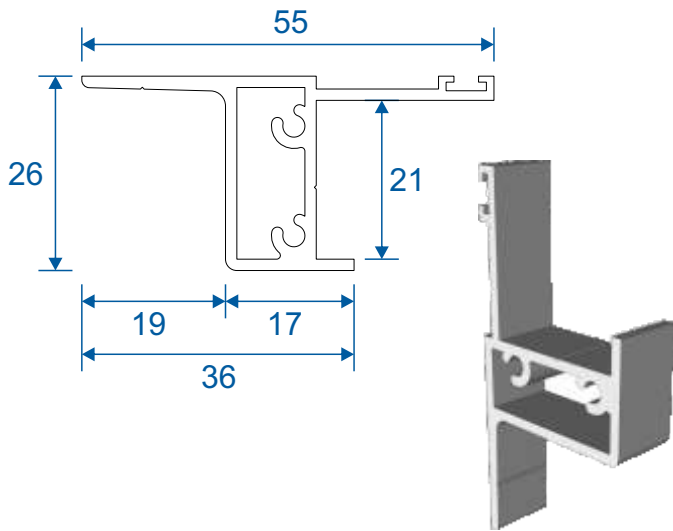
All Parts	3
-----------	---

Sections

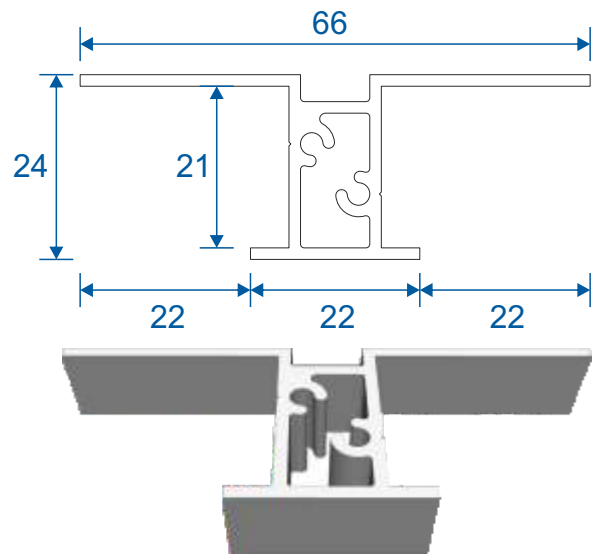
Section Reference Page	4
Transom & Mullion Sections	5
Frame Sections	6

Parts

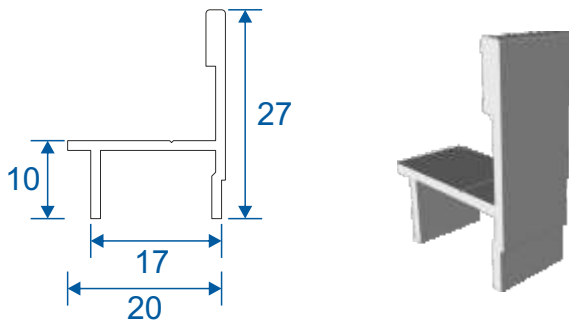
SG93 - Odd Leg Outer Frame



DG95 - Mullion / Transom



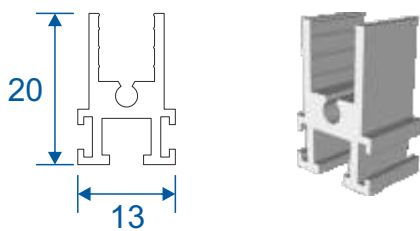
DG96 - Adapter



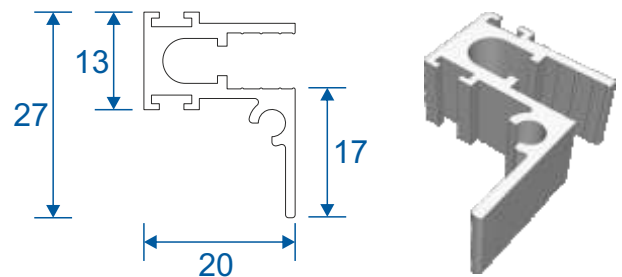
PVC Retainer Clip



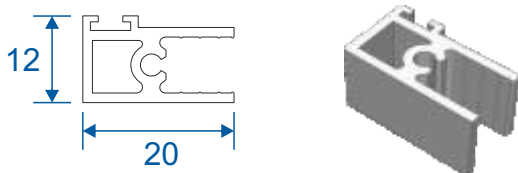
SG64 - Top Rail (Lift Out)



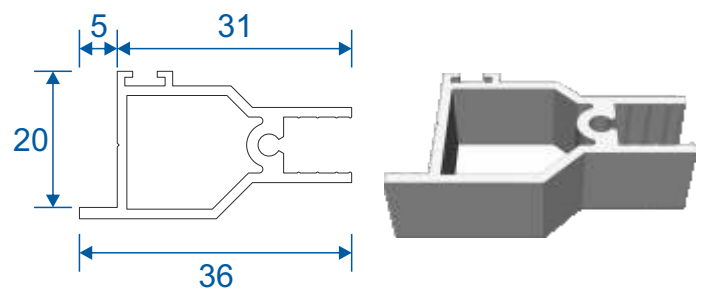
SG71 - Bottom Rail Handle (Lift Out)



SG66 - Panel Sides (Lift Out)



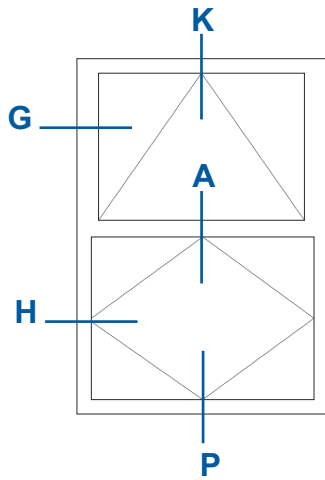
SG69 - Hinged Sash



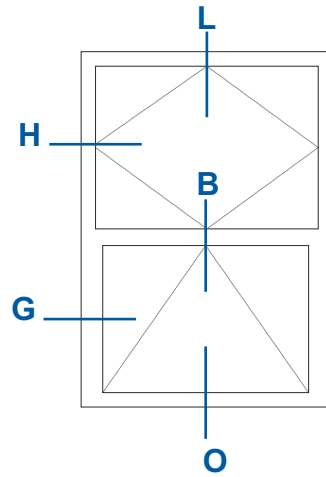
Section Reference Page

Sections A to F are on page 5
 Sections G, H, K, L, O & P are on page 6

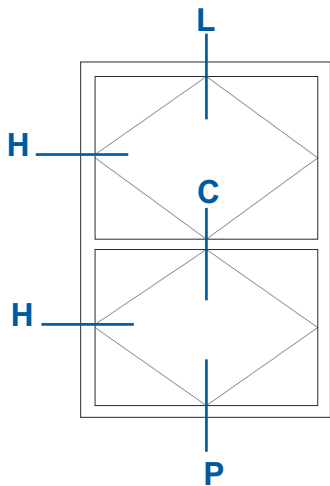
Hinged Over Lift Out



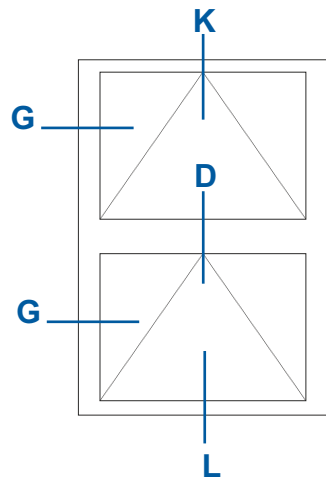
Lift Out Over Hinged



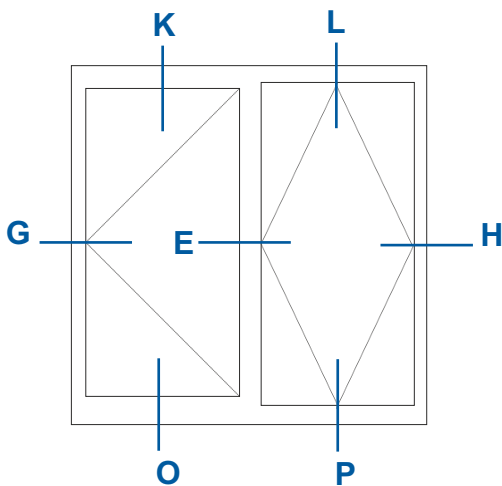
Lift Out Over Lift Out



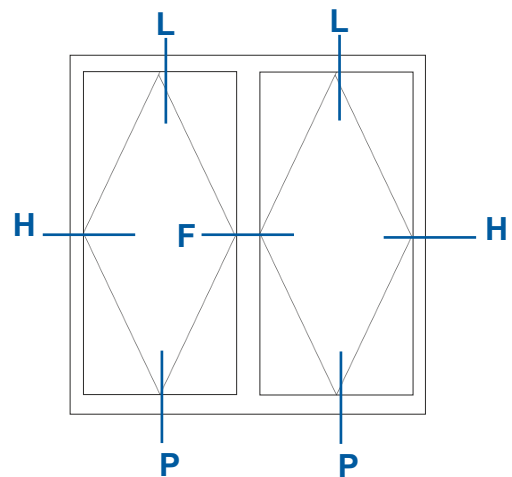
Hinged Over Hinged



Hinged Next To Lift Out

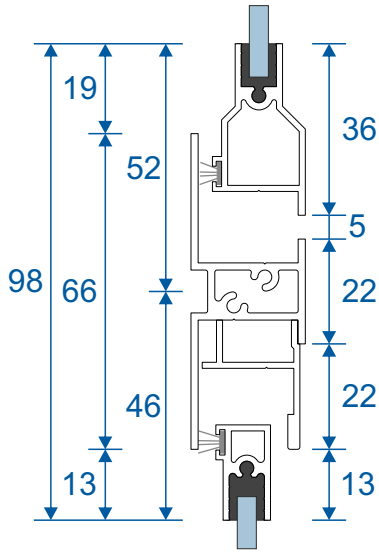


Lift Out Next To Lift Out

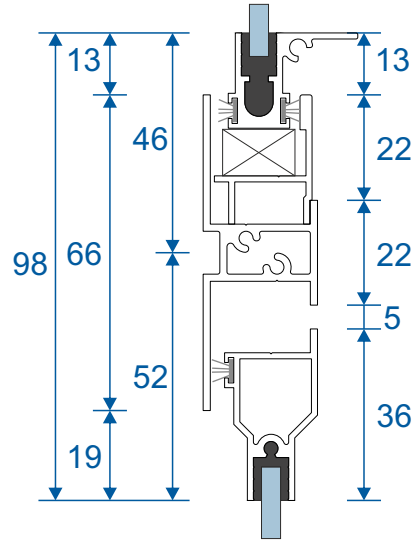


Transom / Mullion Sections

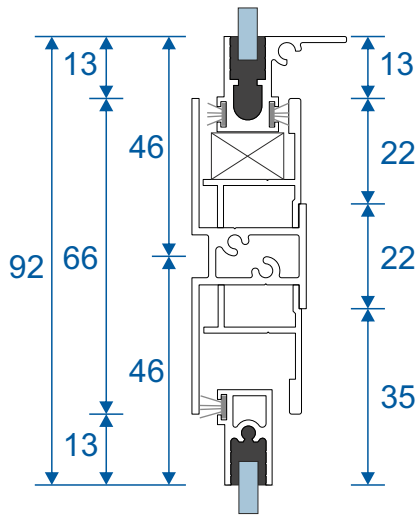
A - Hinged Over Lift Out



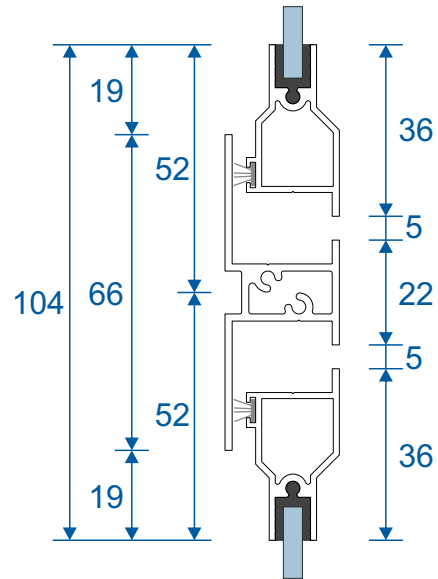
B - Lift Out Over Hinged



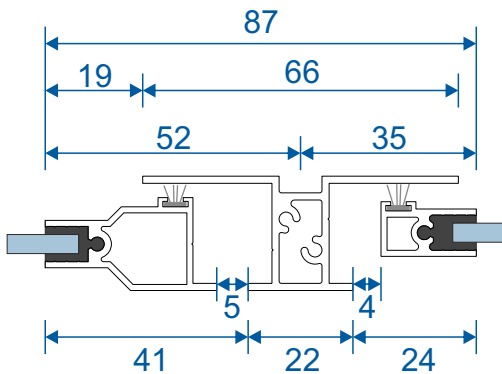
C - Lift Out Over Lift Out



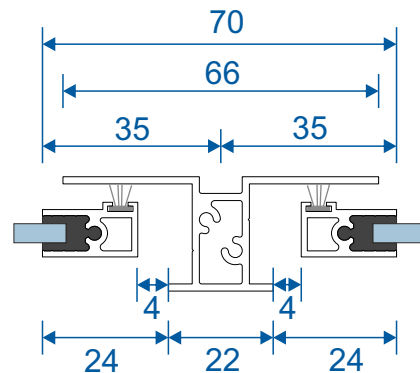
D - Hinged Over Hinged



E - Hinged Next To Lift Out

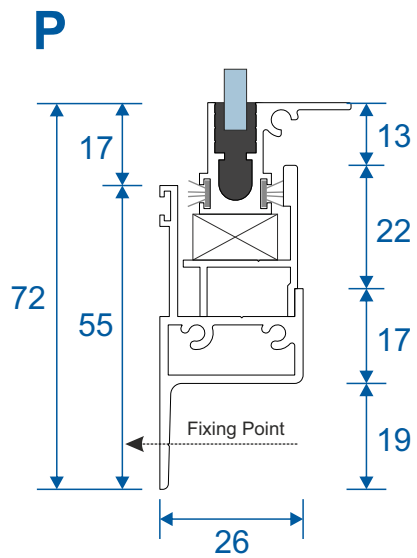
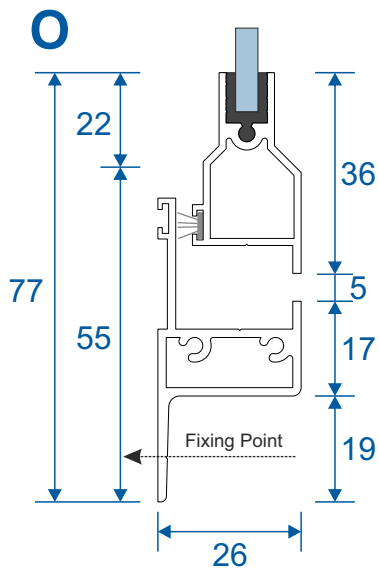
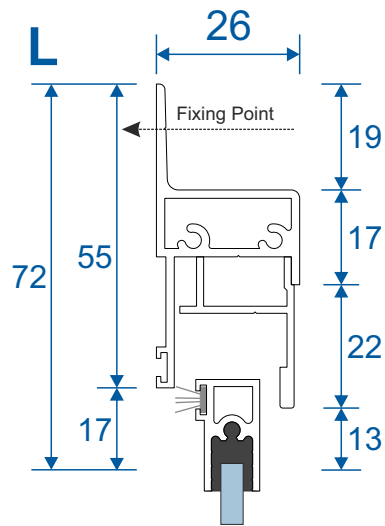
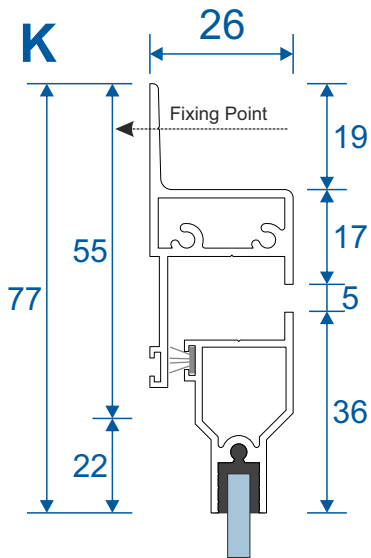
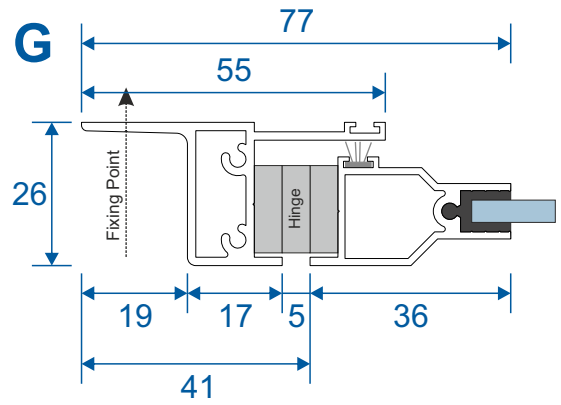
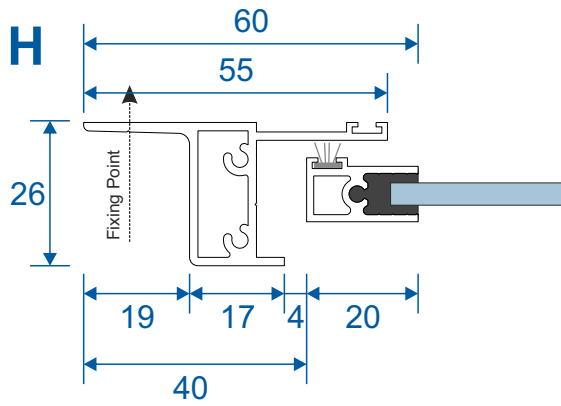


F - Lift Out Next To Lift Out



Frame Sections

Face Fix



Duration Windows
Thames Development
Charfleets Road
Canvey Island
Essex. SS8 0PQ

sales@duration.co.uk
www.duration.co.uk

Head Office 01268 681612
Showroom 01268 695100